

SPARE WHEEL MODULE TRAILER OR REDPACK

The Spare Wheel Module Trailer (SWMT) is a self-contained emergency repair kit. It is towed by one of the logistic vehicles in the convoy to be available at short notice if the Husky 2G experiences damage. Jacks, marking equipment, detection equipment, drive shafts or even complete front or rear modules are available for immediate replacement. For module replacement, jacks and tools are carried in the Centre Support Maintenance Pack (CSMP) of the SWMT and this can be done in typically 2 hours.

HUSKY 2G REDPACK
RENOUNDED FOR ITS VERSATILITY, STRENGTH & STAMINA



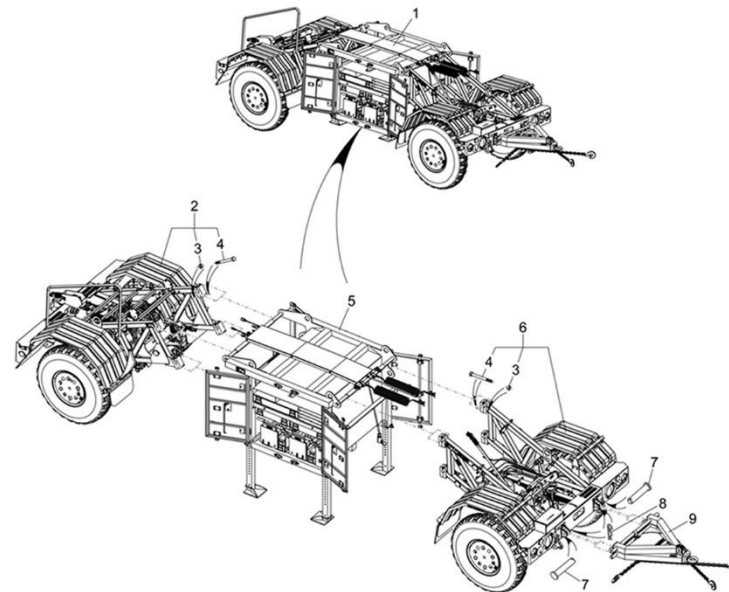
A Spare Wheel Module Trailer (SWMT) called the 'Red-pack' is a set of mobile spare parts and tools consisting of complete front and rear module on either end of the Centre Support Maintenance Pack (CSMP). The CSMP contains selected spares, spare detector heads required by the commander to repair mine blast damage in the field in the minimum amount of time.



Center Support Maintenance Pack (CSMP), A side view.



Center Support Maintenance Pack (CSMP) spare parts bins and jacking equipment.



The Spare Wheel Module Trailer (1) consists of a spare Rear Module (2) and Front Module (6), with securing nuts (3) and bolts (4) to secure the spare Front and Rear Modules to the Center Support Maintenance Pack (5), and a towing A-Frame (9) that mounts on the Front Module using securing pins (7) and R-clips (8).



DCD PROTECTED MOBILITY